

Model SB 3 M

VHF Marine Antenna 156-163 MHz

Installation Manual

DESCRIPTION

3/4 λ marine antenna working on 156-163 MHz without Ground Plane. It is particularly protected against the worst sea weather thanks to its conic glass fibre tube which makes it strong and solid in every situation. The radial whip is earthed in order to avoid stray R.F. currents and their discharges. All its metallic components are of chromium plated brass and stainless steel to get the robustness and full assurance; it is available in three different bases. It is provided with 5 m white cable RG 58 already connected. In the mentioned range of frequencies adjustments are not required.

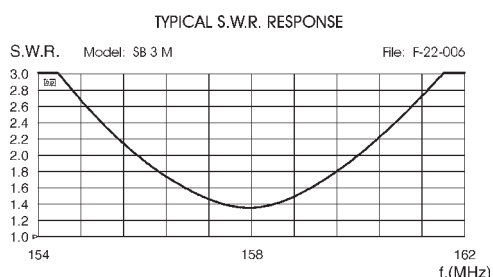
SPECIFICATIONS

Electrical Data

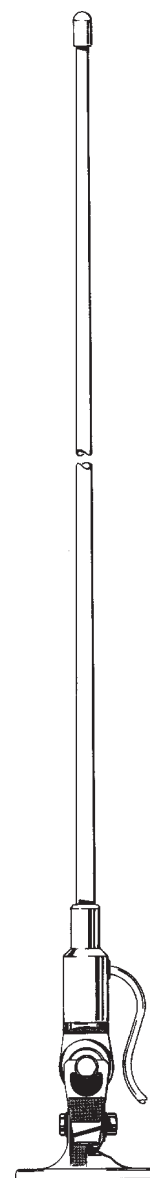
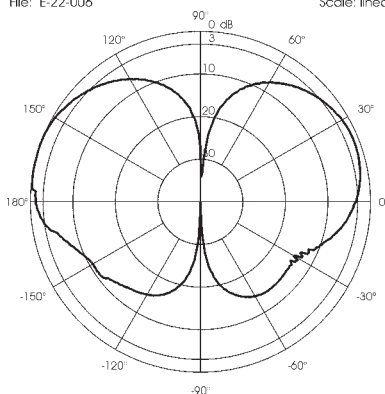
Type	:	3/4 λ J-pole Marine Antenna
Frequency Range	:	156-163 MHz
Impedance	:	50 Ω Unbalanced
Radiation (H-plane)	:	360° Omnidirectional
Radiation (E-plane)	:	Beamwidth at -3 dB = 39°
Radiation angle deg.	:	21°
Polarization	:	Vertical
Gain	:	2 dBd - 4.15 dBi
Bandwidth at V.S.W.R. 2:1	:	5.2 MHz at 158 MHz
V.S.W.R. at f. res.	:	$\leq 1.4:1$
Max Power	:	100 Watts
Feed System / Position	:	1/4 Parallel Line Stub / Base

Mechanical Data

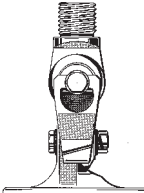
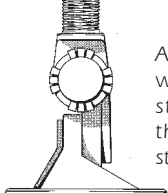
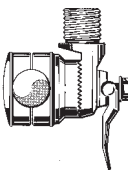
Materials	:	Chromed Brass, Glass fibre, Copper
Height (approx.)	:	1480 mm
Weight (approx.)	:	500 gr



TYPICAL RADIATION PATTERN in E-plane at 158 MHz
File: E-22-006 Scale: linear



OPTIONAL MOUNTING BASES

 <p>M-3 OT Marine Mount</p> <p>Adjustable marine mount of chromed brass with standard connection 1"x14 threads. It's supplied with rubber washer and stainless steel screws.</p>	 <p>M-8 NY Marine Mount</p> <p>Adjustable marine mount of white nylon, supplied with standard connection 1"x14 threads, rubber washer and stainless steel screws.</p>	 <p>M-10 OT Marine Mount</p> <p>Adjustable marine mount made of chromium plated brass and supplied with standard connection 1"x14 threads. Stainless steel screws, fixing diameter 1".</p>
---	---	--