



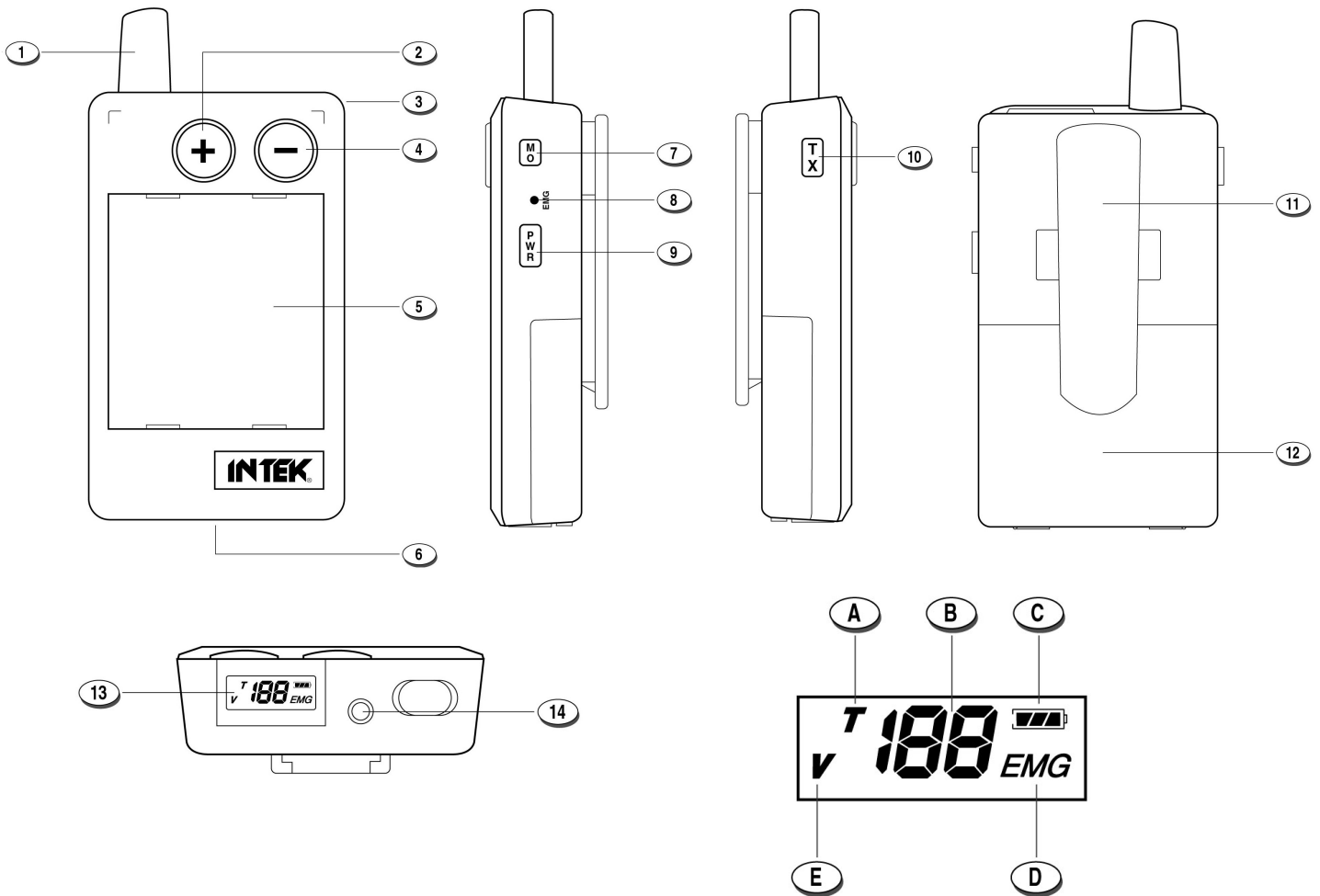
**RP-800T**  
**860 MHz UHF FM VOICE TRANSMITTER**  
**OPERATING MANUAL**

**INTRODUCTION**

This Voice Transmitter has been specifically designed for use in combination with the Voice Pager (receiver) model RP-800R, for the following purposes :

- as a transmitter for Voice Paging Systems in Tourists Guided Tours
- as a transmitter for Voice Paging Systems in Conferences, Congresses, Meetings, Voice Interpretation, etc.
- as a transmitter for Voice Paging Systems in stores, hotels, restaurants, resorts, factories, warehouses, offices, shops, motorcycle driving schools, etc. and wherever a message or a voice communication from a main transmitter must be received by either one or more groups of persons or by a single person.

The transmitter operates on the 860 MHz UHF FM band, which is usually free from interferences. Transmitter is fully programmable by the system manager in the PROGRAM mode. Please read the following operating instructions before using the radio.



**KEYS AND CONTROLS**

1. High efficiency Antenna
2. UP Key
3. Hole for Necklace
4. DOWN Key
5. Window for Operator Card
6. Desk Charger Contacts
7. MO (MODE) Key
8. EMG Key
9. Power ON-OFF Key
10. TX Key
11. Belt Clip
12. Battery door
13. Backlighted LCD
14. Microphone Jack

**LCD DISPLAY**

- A. Transmitting Icon
- B. Channel Number
- C. Battery Level Indicator
- D. EMG Channel Icon
- E. VOX (Handsfree use) Icon

**BATTERY INSTALLATION**

1. Remove the Belt Clip (11). To remove the belt clip, pull the block tab toward exterior and slide the clip toward the up side of the unit.
2. Slide down and remove the battery door (12) by unlocking the block tab.
3. Install 3 x AA size batteries. Please respect correct polarity.
4. Re-install the battery door (12).
5. Re-install the Belt Clip (11).

## **BATTERY CHARGING / MULTIPLE DESK CHARGER (Mod. MDC-800)**

When the battery capacity is low, the Battery Level Indicator (C) shows one bar only. Recharge batteries at this time. Otherwise the transmitter will be automatically switched OFF after few minutes. When the battery capacity is low, switch OFF the transmitter and insert it in the Multiple Desk Charger.

Please refer to the instruction manual supplied with the Multiple Desk Charger.

### **WARNING !**

1. If the product will not be used for a long period of time, please take out the batteries.
2. Please dispose of old or defective batteries in a safe and environmentally friendly manner.
3. Do not dispose of batteries in fire.
4. Do not recharge batteries for more than 12 hours, to avoid overcharge or overheating, which could damage the radio.
5. Do never try to recharge alkaline batteries, as this might cause damage to the radio or explosion of the batteries.
6. Do not use chargers or accessories others than the original ones, otherwise damage to the radio may occur.

## **BASIC OPERATION - USER MODE**

When radio is turned ON, it always sets in the USER MODE. In this mode, user can only operate the following basic functions, in order to avoid entering any wrong command or change the radio settings and programming.

### **Power ON/OFF**

1. Switch ON the radio by pressing and holding the PWR (9) key for about 2 seconds.
2. The LCD Display (13) will shortly show all the icons.
3. Then the LCD Display (13) will show the Channel Number (B) and the Battery Level (C).
4. To switch OFF the radio, press and hold the PWR (9) key for about 2 seconds.

### **Transmitting Mode / PTT (Push-To-Talk) Function**

1. Connect the supplied microphone to the MIC jack (14).
2. Quickly press the TX (10) key to transmit. The T Icon (A) appears on the LCD (13).
3. Speak with a normal voice into the microphone.
4. To stop transmission, shortly press again the TX key (10). If not, transmission will continue and it will automatically stop after 5 minutes. According to the current regulations, a continuous transmission cannot last more than 5 minutes.
5. Press again the TX (10) key to return to the transmitting mode.

### **Transmitting Mode / VOX (Handsfree use) Function**

The radio is equipped with a Voice Operated Transmitter function (VOX), that is used for automatic voice transmission (handsfree use). In this mode, transmission is automatically initiated by speaking into the microphone and there is no need to push the TX (10) key. The VOX function is programmable only in the PROGRAM MODE.

1. If VOX function is enabled, the V icon (E) appears on the LCD (13).
2. Connect the supplied microphone to the MIC jack (14).
3. Speak with a normal voice into the microphone to activate the transmission.
4. Transmission will automatically stop at the end of the communication.

### **Emergency Channel**

This functions allows to select and program an alternate channel, if the primary operating channel is already in use by other users. Press and hold the EMG (8) key for about 3 seconds to select the programmed Emergency Channel. The EMG Icon (D) appears on the LCD (13). To return on the operating channel, press and hold the EMG (8) key. The EMG Icon (D) will disappear from the LCD (13). The Emergency Channel is programmable only in the PROGRAM MODE.

## **ADVANCED FUNCTIONS - PROGRAM MODE**

Transmitter may be programmed by the system manager in the PROGRAM MODE. The following functions are programmable only in the PROGRAM MODE. In the normal USER MODE, the user cannot access, program or modify any of these functions, in order to avoid entering any wrong command or change the settings programmed by the system manager.

1. Channel selection (1-79)
2. Emergency Channel selection (1-79)
3. VOX Setting

To enter the PROGRAM MODE, proceed as follows :

1. Switch OFF the radio.
2. Switch ON the radio by pressing simultaneously the ON-OFF (8), the MO (7) key and the DOWN (4) key, until radio is ON.
3. The LCD Display (13) will shortly show all the icons. Then the LCD Display (13) will show the Channel Number (B)
4. Press the MO (7) key several times to scroll the various programmable functions.

Switch OFF the radio to exit the PROGRAM MODE.

### **Channel Selection**

1. In the PROGRAM MODE the Channel Number (B) blinks on the LCD (13).
2. Press the UP (2) or DOWN (4) keys to select the desired channel number (1-79). Press and hold the UP (3) or DOWN (4) key, to advance the channel selection quicker.
3. To confirm and store the selection and to move to the next function, press the MO (7) key.

### **Emergency Channel Selection**

1. In the PROGRAM MODE press the MO Key (7) until the Channel Number (B) blinks and the EMG Icon (D) appears on the LCD (12).
2. Press the UP (2) or DOWN (4) keys to select the desired Emergency channel number (1-79). Press and hold the UP (3) or DOWN (4) key, to advance the channel selection quicker.
3. To confirm and store the selection and to move to the next function, press the MO (7) key.

## Channels Table

FREQ.	CH	FREQ.	CH	FREQ.	CH	FREQ.	CH	FREQ.	CH	FREQ.	CH
863.0250	1	863.3750	15	863.7250	29	864.0750	43	864.4250	57	864.7750	71
863.0500	2	863.4000	16	863.7500	30	864.1000	44	864.4500	58	864.8000	72
863.0750	3	863.4250	17	863.7750	31	864.1250	45	864.4750	59	864.8250	73
863.1000	4	863.4500	18	863.8000	32	864.1500	46	864.5000	60	864.8500	74
863.1250	5	863.4750	19	863.8250	33	864.1750	47	864.5250	61	864.8750	75
863.1500	6	863.5000	20	863.8500	34	864.2000	48	864.5500	62	864.9000	76
863.1750	7	863.5250	21	863.8750	35	864.2250	49	864.5750	63	864.9250	77
863.2000	8	863.5500	22	863.9000	36	864.2500	50	864.6000	64	864.9500	78
863.2250	9	863.5750	23	863.9250	37	864.2750	51	864.6250	65	864.9750	79
863.2500	10	863.6000	24	863.9500	38	864.3000	52	864.6500	66	-	-
863.2750	11	863.6250	25	863.9750	39	864.3250	53	864.6750	67	-	-
863.3000	12	863.6500	26	864.0000	40	864.3500	54	864.7000	68	-	-
863.3250	13	863.6750	27	864.0250	41	864.3750	55	864.7250	69	-	-
863.3500	14	863.7000	28	864.0500	42	864.4000	56	864.7500	70	-	-

## VOX Setting

1. In the PROGRAM MODE press the MO Key (7) until the Channel Number (B) blinks.
2. Press again the MO Key (7) until V Icon (E) appears and the VOX level blinks on the LCD Display (13).
3. Press the UP (2) or DOWN (4) keys to select the desired VOX Level, from 1 (high sensitivity) to 3 (low sensitivity).
4. If level 0 is selected, the VOX function is disabled.
5. To confirm and store the selection and to exit the PROGRAM MODE, press the MO (7) key.

## SPECIFICATIONS

Channels	79 Channels
Mode	NFM
Operating Frequency Range	863.025 – 864.975 MHz
Transmitter Power	10mW ERP
Power Source	3.6V (3 x AA 1.2V 1500mAh Ni-MH Rechargeable Battery) 4.5V (3 x AA 1.5V Alkaline Battery)
Current Drain	90mA (in TX Mode)
Dimensions	H120 x L62 X D21 mm
Weight	gr. 150 (battery included)

## IMPORTANT INFORMATION

### Important !

Changes or modifications to this product could void your authority to operate this unit. Any adjustment to your radio must be made by a qualified authorized technician or service station. Never open the cabinet of your radio. Never change or replace anything in your radio (except batteries).

### Hazardous Environments

Do not operate the radio in hazardous environments. Do not keep radio under direct rain.

### Care and Safety

To clean the radio, use a soft cloth dampened with water. Do not use cleaners or solvents because they can harm the body of the unit and leak inside, causing permanent damage. Use a dry, lint-free cloth to clean the battery contacts. Do not submerge the unit in water or use it on a wet environment. If the unit gets wet, turn it off and remove the battery immediately. Dry the battery and the battery compartment with a soft cloth to minimize potential water damage. Leave the battery compartment cover off overnight to ensure complete drying. Do not use the radio until it is completely dry.

### Battery Operation / Wasting

Dispose of battery in the proper manner, according to federal, state and local regulations that apply in your area. A battery may leak electrolyte if it is mixed in a set with different battery types, if inserted incorrectly, if disposed of in fire, or if an attempt is made to charge a battery not intended to be charged. Discard leaky batteries immediately. Leaking batteries can cause skin burns or other personal injury.

### Warning !

The use of this device may be subject to national restrictions or regulations. Check your local authority or dealer before purchasing and using this product.

### User Information



In accordance with art. 13 of the Legislative Decree of 25th July 2005, no. 15 "Implementation of Directives 2002/95/EC, 2002/96/EC and 2003/108/EC, relative to reduction of the use of hazardous substances in electrical and electronic equipment, in addition to waste disposal". The crossed bin symbol shown on the equipment indicates that at the end of its working life the product must be collected separately from other waste. The user must therefore take the above equipment to the appropriate differentiated collection centres for electronic and electro technical waste, or return it to the dealer when purchasing a new appliance of equivalent type, in a ratio of one to one. Appropriate differentiated waste collection for subsequent recycling, treatment and environment-friendly disposal of the discarded equipment helps to prevent possible negative environmental and health effects and encourages recycling of the component materials of the equipment. Illegal disposal of the product by the user will be punished by application of the administrative fines provided for by the legislative decree no. 22/1997 (article 50 and following of the legislative decree no. 22/1997).

## DECLARATION OF CONFORMITY

EC Certificate of Conformity  
(to EC Directive 2006/95, 2004/108, 99/5)

### DECLARATION OF CONFORMITY

With the present declaration, we certify that the following products :

#### INTEK RP-800T

comply with all the technical regulations applicable to the above mentioned products in accordance with the EC Directives 2006/95/EC, 2004/108/EC, 99/5/EC.

**Type of product :** Wireless Audio Device - Radio Microphone  
**Details of applied standards :** EN 301 357-1 (essential requirements)  
EN 301 357-2 (essential requirements)  
EN 301 489-1  
EN 301 489-9  
EN 60065  
**Manufacturer :** **INTEK S.R.L.**  
16 Via G. Marconi  
20090 Segrate, Italy  
Tel. 39-02-26950451 / Fax. 39-02-26952185  
E-mail : [intek.com@intek-com.it](mailto:intek.com@intek-com.it)  
**Contact Reference :** Armando Zanni  
Tel. 39-02-26950451 / Fax. 39-02-26952185  
E-mail : [intek.com@intek-com.it](mailto:intek.com@intek-com.it)

Segrate, 18/12/2009

dr. Vittorio Zanetti  
(General Manager)

Produced, imported and distributed by :

**INTEK S.R.L.**  
Europe Head Office  
16 via Guglielmo Marconi, 20090 Segrate, Italy  
Tel. +3902 2695 0451 - Fax. +3902 2695 2185  
[www.intek-radios.com](http://www.intek-radios.com)  
e-mail : [intek.com@intek-com.it](mailto:intek.com@intek-com.it)